



ANGSTADT//ARMS

MDP-9 SERIES INSTRUCTION MANUAL

WARNING:

READ ALL INSTRUCTIONS BEFORE USE!

- **FOR ADULT USE ONLY. NOT TO BE OPERATED BY MINORS UNDER THE AGE OF 18.**
- **NEVER MODIFY OR ALTER YOUR AIRSOFT GUN.** Attempts to modify the airsoft gun in any way could make your airsoft gun unsafe to use, cause serious injury or death, and will void the warranty.
- Misuse of Airsoft Guns is dangerous and can cause serious injury or death. Always treat an Airsoft gun with the same respect you would towards a real firearm.

SAFETY CONSIDERATIONS

- **NEVER** look into the gun's muzzle.
- **NEVER** point the Airsoft gun at anything you do not intend to shoot.
- **NEVER** shoot at targets that may cause the BB to bounce off, such as hard surface that could produce a ricochet.
- **ALWAYS** ensure the operator and everyone nearby are wearing appropriate eye protection.
- **ALWAYS** ensure the fire-selector is on "SAFE" until you are ready to shoot.
- **ONLY** shoot the airsoft gun in designated area, towards a safe direction, using a sufficient backstop.

GENERAL PRECAUTIONS

- This merchandise does not contain any internal components compatible or interchangeable with a real firearm.
- This merchandise cannot accept firing components from a real firearm, nor be able to chamber / fire real ammunition.
- This merchandise is designed to function solely with 6mm airsoft ammunition.
- **ONLY** use high-quality precision plastic BBs designed for 6mm Airsoft guns.
- **NEVER** reuse a BB that is dirty, has been shot from the gun, or otherwise deformed. Use of contaminated or imperfect BBs could damage your gun.
- **ALWAYS** transport Airsoft guns in it's original box or an appropriate gun case.
- **NEVER** carry the gun in plain sight.
- **ALWAYS** store the airsoft gun unloaded, and out of reach by children.
- Using unauthorized repair centers or modifying the function of your airsoft gun in any way may be unsafe and will void your warranty.
- The manufacturer, distributors, and retailers are not liable for any malfunction, accidents, injuries or repair cost resulting from misuse, or by disassembly and modification of the airsoft gun.

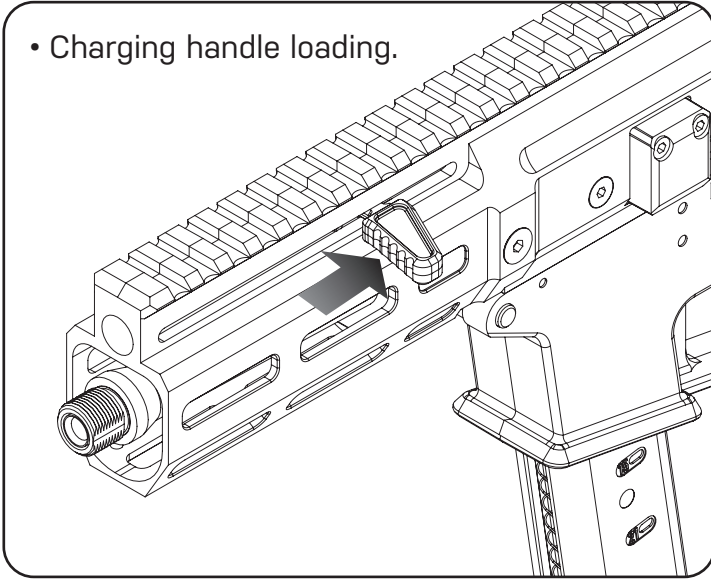
CAUTION

WARNING

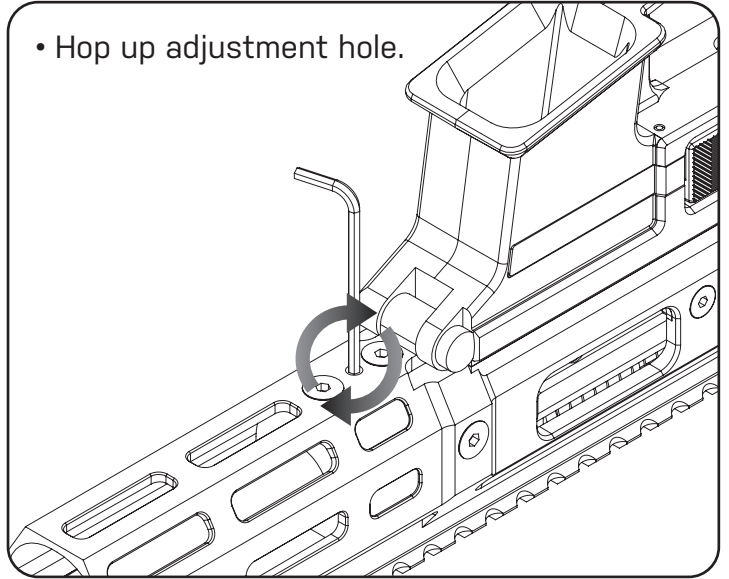


OPERATION INSTRUCTION

- Charging handle loading.



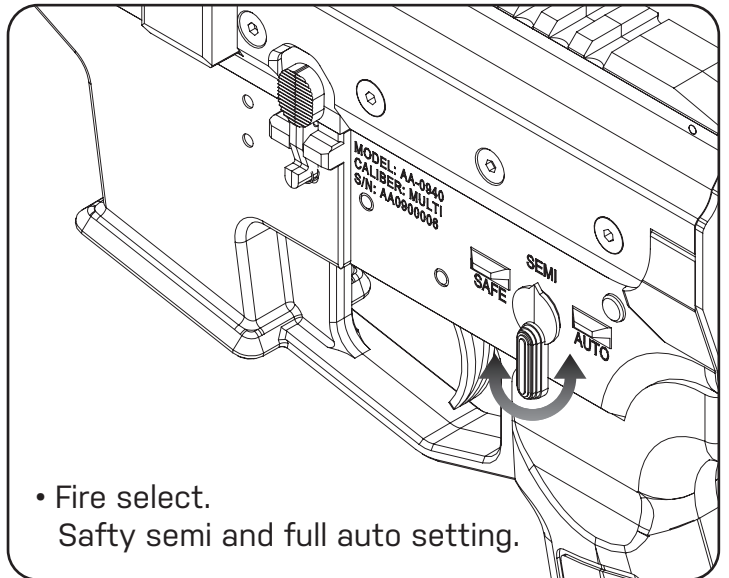
- Hop up adjustment hole.



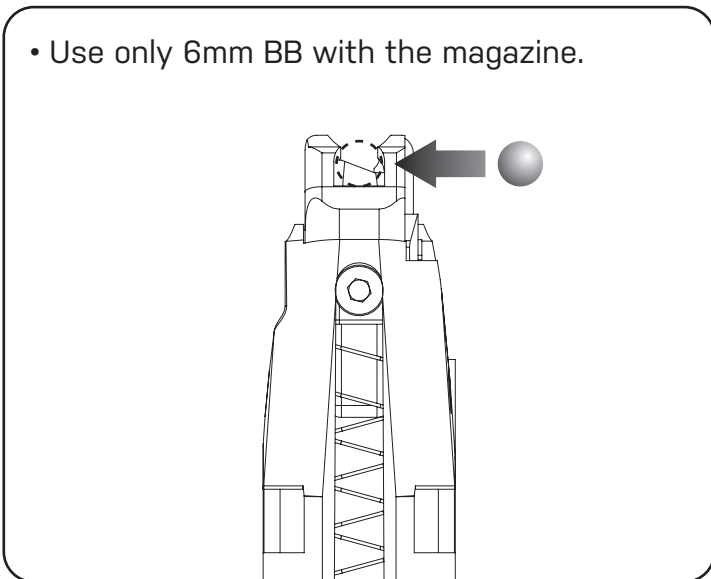
- Remove the magazine.



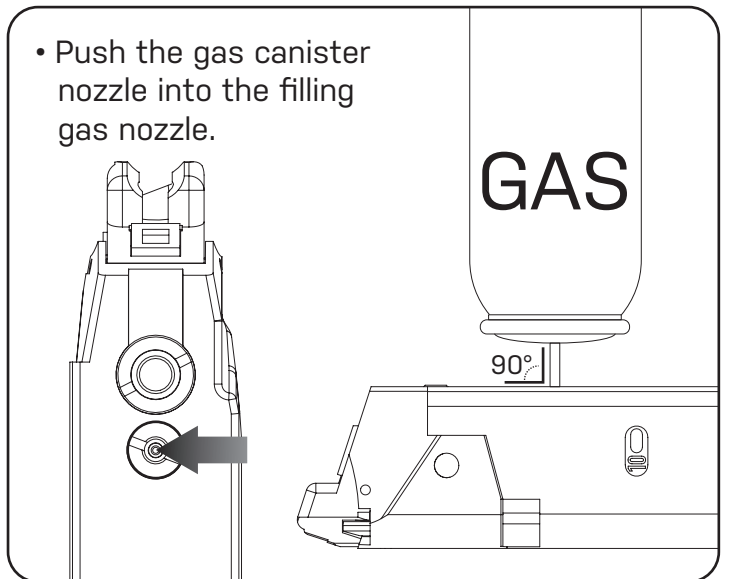
- Fire select.
Safety semi and full auto setting.



- Use only 6mm BB with the magazine.

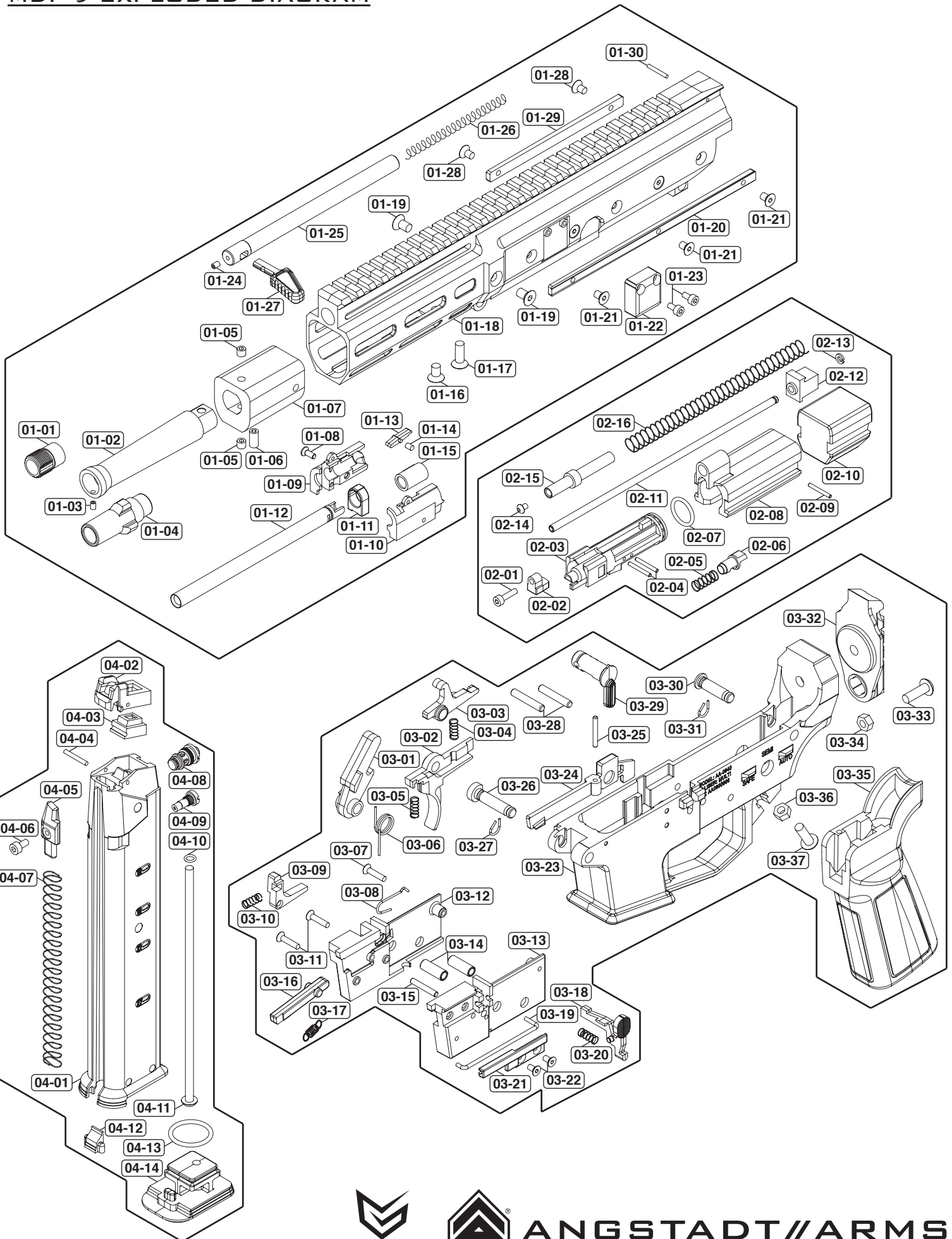


- Push the gas canister nozzle into the filling gas nozzle.



- Please use BBs for AEG's specification, the weight need to more than 0.2g.
- Don't place magazine at temperature above 40°C environment.
- If gas filled with excessive, will result in auto fire and not smooth.
- Only use 12 KG Green gas.

MDP-9 EXPLODED DIAGRAM



ANGSTADT//ARMS