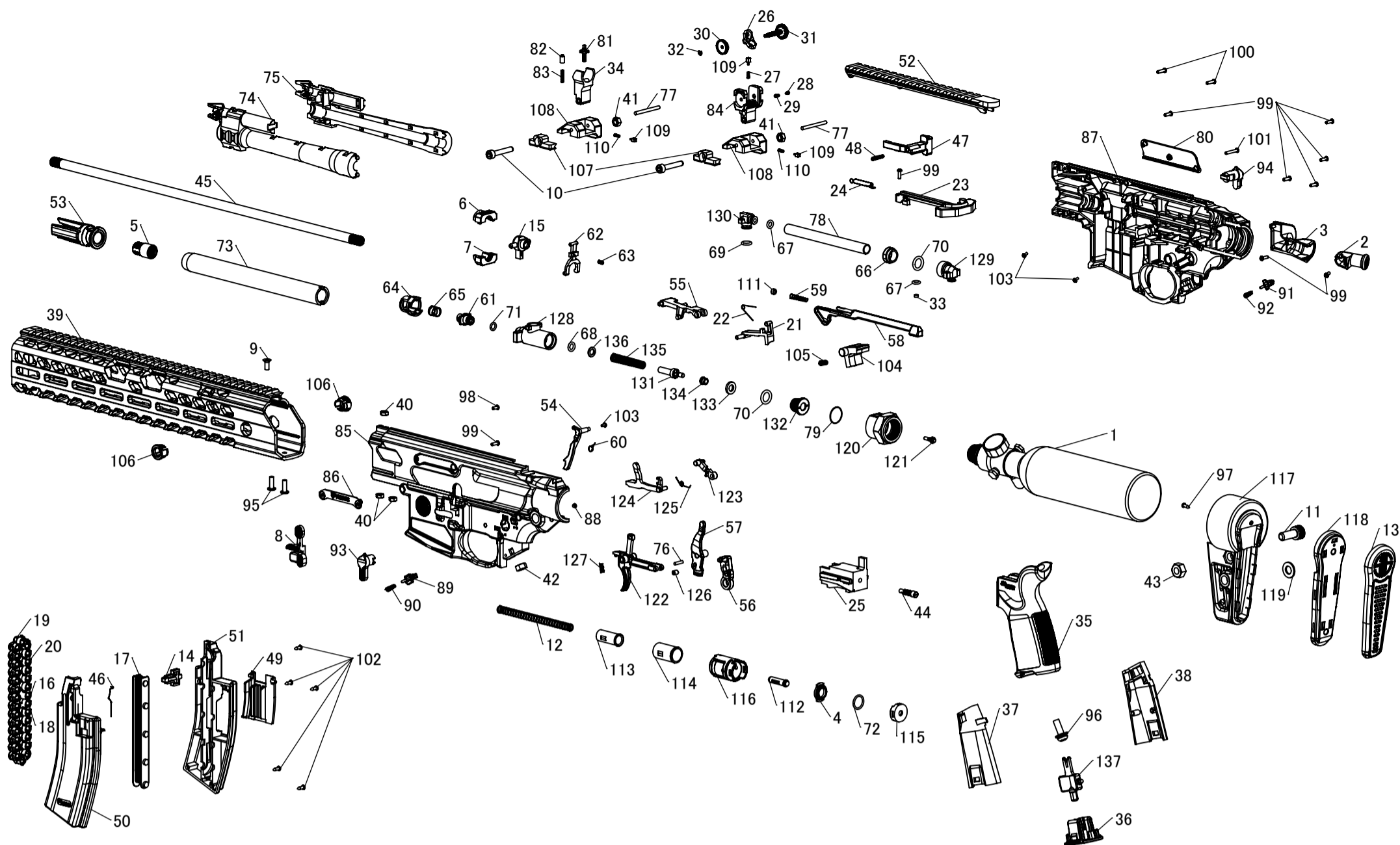


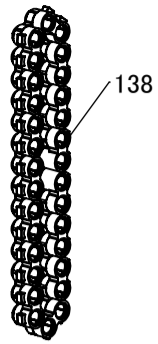
AIR-VIRTUS-22



- | | | | |
|----------------------------------|-----------------------------------|--|------------------------------|
| 39-1. Air Tank | 39-36. Grip Cap | 39-71. O-ring S6 1A | 39-106. Side Cap |
| 39-2. Assist Knob | 39-37. Grip Support Left | 39-72. O-ring S12.5 1A | 39-107. Sight Base Left |
| 39-3. Assist Knob Base | 39-38. Grip Support Right | 39-73. Outer Barrel A | 39-108. Sight Base Right |
| 39-4. Back Up | 39-39. Hand Guard | 39-74. Outer Barrel B Left | 39-109. Sight Plunger |
| 39-5. Barrel Head (for .220Cal) | 39-40. Hexagon Nut M4 | 39-75. Outer Barrel B Right | 39-110. Sight Plunger Spring |
| 39-6. Barrel Nut A (for .220Cal) | 39-41. Hexagon Nut M5 | 39-76. Pin Knurling 2.5 × 11 | 39-111. Spring Base |
| 39-7. Barrel Nut B (for .220Cal) | 39-42. Hexagon Nut M6 | 39-77. Pin Knurling 3.0 × 34 | 39-112. Spring Guide |
| 39-8. Bolt Catch Dummy | 39-43. Hexagon Nut M8 | 39-78. Pipe $\phi 10 \times T1 \times 113.5$ | 39-113. Spring Guide A |
| 39-9. Bolt M4 × 10 | 39-44. Hit Pin | 39-79. Piston Ring | 39-114. Spring Guide B |
| 39-10. Bolt M5 × 28 | 39-45. Inner Barrel (for .220Cal) | 39-80. Port Cover | 39-115. Spring Guide Base |
| 39-11. Bolt M8 × 20 | 39-46. Latch Spring | 39-81. Post | 39-116. Spring Guide C |
| 39-12. Bolt Return Spring | 39-47. Magazine Catch | 39-82. Post Click | 39-117. Stock |
| 39-13. Butt Pad | 39-48. Magazine Catch Spring | 39-83. Post Click Spring | 39-118. Stock Plate |
| 39-14. Caliber Indicator | 39-49. Magazine Cover | 39-84. Rear Sight | 39-119. Stock Washer |
| 39-15. Chamber (for .220Cal) | 39-50. Magazine Outer Left | 39-85. Receiver Left | 39-120. Tank Joint |
| 39-16. Clip End (for .220Cal) | 39-51. Magazine Outer Right | 39-86. Receiver Plate | 39-121. Tank Joint Pin |
| 39-17. Clip Guide | 39-52. Mount Rail | 39-87. Receiver Right | 39-122. Trigger |
| 39-18. Clip Head (for .220Cal) | 39-53. Muzzle (for .220Cal) | 39-88. Red Dot | 39-123. Trigger Arm |
| 39-19. Clip Joint | 39-54. Nail | 39-89. Safety Click Left | 39-124. Trigger Bar |
| 39-20. Clip Piece (for .220Cal) | 39-55. Nail Arm | 39-90. Safety Click Left Spring | 39-125. Trigger Bar Spring |
| 39-21. Clip Stopper | 39-56. Nail Bar A | 39-91. Safety Click Right | 39-126. Trigger Roller |
| 39-22. Clip Stopper Spring | 39-57. Nail Bar B | 39-92. Safety Click Right Spring | 39-127. Trigger Spring |
| 39-23. Cocking Handle | 39-58. Nail Bar C | 39-93. Safety Lever Left | 39-128. Valve Body |
| 39-24. Cocking Handle Spring | 39-59. Nail Bar C Spring | 39-94. Safety Lever Right | 39-129. Valve Joint A |
| 39-25. Cylinder Block | 39-60. Nail Spring | 39-95. Screw M4 × 12 | 39-130. Valve Joint B |
| 39-26. Diopter | 39-61. Nozzle (for .220Cal) | 39-96. Screw M6 × 18 | 39-131. Valve Pin |
| 39-27. Diopter Click Spring | 39-62. Nozzle Arm | 39-97. Screw P-Tite PH 2.6 × 8 | 39-132. Valve Rear Cap |
| 39-28. Diopter Dial Click | 39-63. Nozzle Arm Spring | 39-98. Screw S-Tite PH 2.6 × 6 | 39-133. Valve Seal |
| 39-29. Diopter Dial Click Spring | 39-64. Nozzle Holder | 39-99. Screw S-Tite PH 2.6 × 8 | 39-134. Valve Seal Holder |
| 39-30. Diopter Dial Left | 39-65. Nozzle Spring | 39-100. Screw S-Tite PH 2.6 × 10 | 39-135. Valve Spring |
| 39-31. Diopter Dial Right | 39-66. O-ring Holder | 39-101. Screw S-Tite PH 2.6 × 16 | 39-136. Valve Washer |
| 39-32. E-ring ETW-2 | 39-67. O-ring P5 1A | 39-102. Screw Tapping 2.6 × 8 | 39-137. Wrench |
| 39-33. Filter | 39-68. O-ring P6 Urethane | 39-103. Screw WFH 2.0 × 4 | |
| 39-34. Front Sight | 39-69. O-ring P7 1A | 39-104. Sear | |
| 39-35. Grip | 39-70. O-ring P10 1A | 39-105. Sear Spring | |

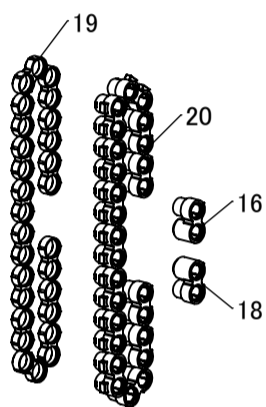
MCX VIRTUS Sub Assembly List

39-138. Clip Assembly (for. 220Cal)

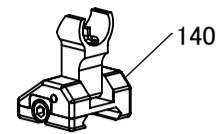


Assembled by

- 39-16. Clip End (for .220Cal)
- 39-18. Clip Head (for .220Cal)
- 39-19. Clip Joint
- 39-20. Clip Piece (for .220Cal)

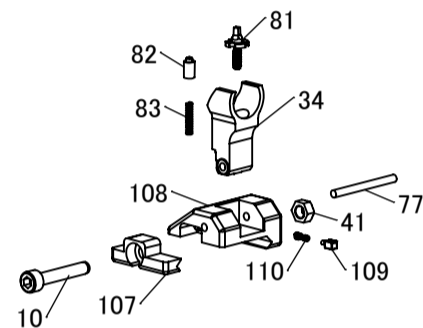


39-140. Front Sight Assembly

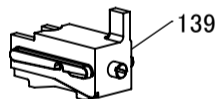


Assembled by

- 39-10. Bolt M5 × 28
- 39-34. Front Sight
- 39-41. Hexagon Nut M5
- 39-77. Pin Knurling 3.0 × 34
- 39-81. Post
- 39-82. Post Click
- 39-83. Post Click Spring
- 39-107. Sight Base Left
- 39-108. Sight Base Right
- 39-109. Sight Plunger
- 39-110. Sight Plunger Spring

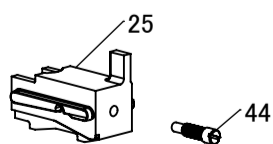


39-139. Cylinder Block Assembly

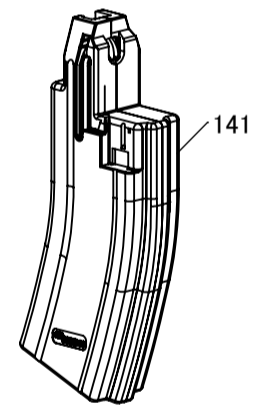


Assembled by

- 39-25. Cylinder Block
- 39-44. Hit Pin

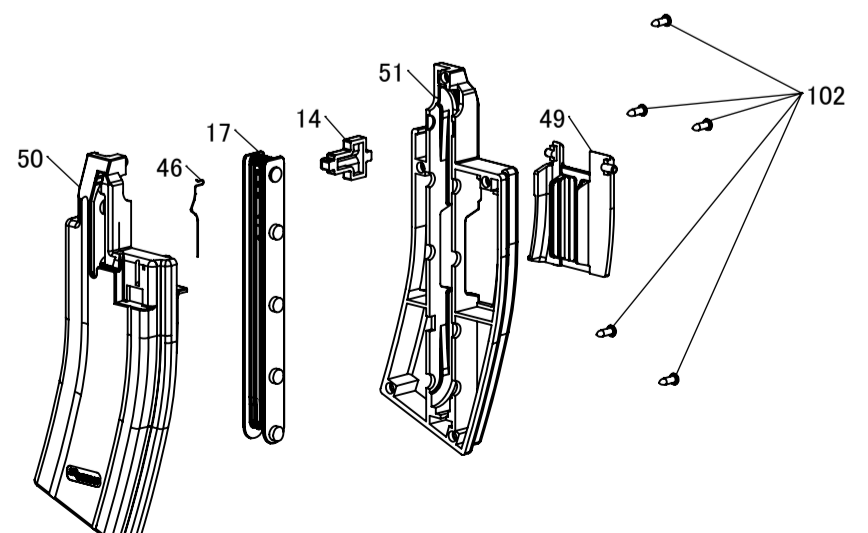


39-141. Magazine Box Assembly



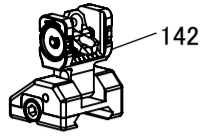
Assembled by

- 39-14. Caliber Indicator
- 39-17. Clip Guide
- 39-46. Latch Spring
- 39-49. Magazine Cover
- 39-50. Magazine Outer Left
- 39-51. Magazine Outer Right
- 39-102. Screw Tapping 2.6 × 8



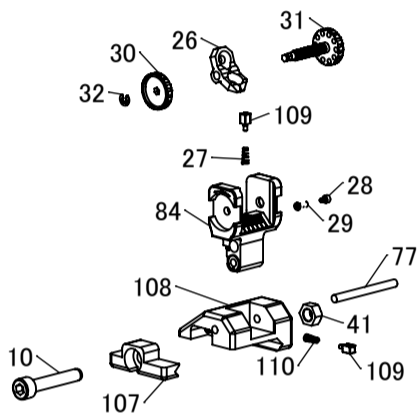
MCX VIRTUS Sub Assembly List

39-142. Rear Sight Assembly

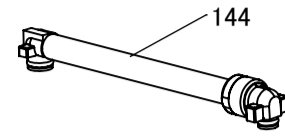


Assembled by

- | | |
|----------------------------------|------------------------------|
| 39-10. Bolt M5 × 28 | 39-32. E-ring ETW-2 |
| 39-26. Diopter | 39-41. Hexagon Nut M5 |
| 39-27. Diopter Click Spring | 39-77. Pin Knurling 3.0 × 34 |
| 39-28. Diopter Dial Click | 39-84. Rear Sight |
| 39-29. Diopter Dial Click Spring | 39-107. Sight Base Left |
| 39-30. Diopter Dial Left | 39-108. Sight Base Right |
| 39-31. Diopter Dial Right | 39-109. Sight Plunger |
| | 39-110. Sight Plunger Spring |

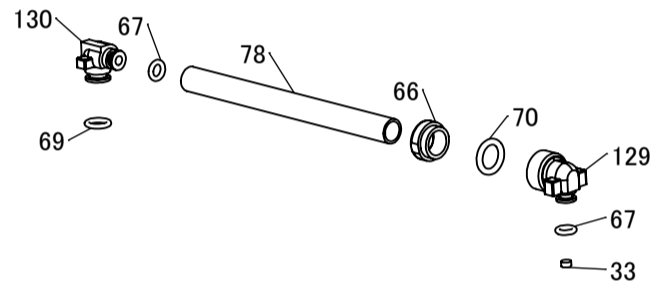


39-144. Transfer Tube Assembly

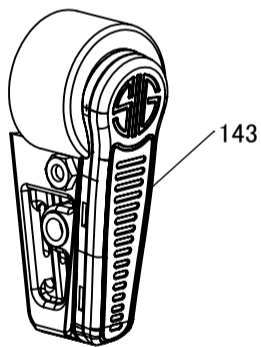


Assembled by

- | |
|--|
| 39-33. Filter |
| 39-66. O-ring Holder |
| 39-67. O-ring P5 1A |
| 39-69. O-ring P7 1A |
| 39-70. O-ring P10 1A |
| 39-78. Pipe $\phi 10 \times T1 \times 113.5$ |
| 39-129. Valve Joint A |
| 39-130. Valve Joint B |

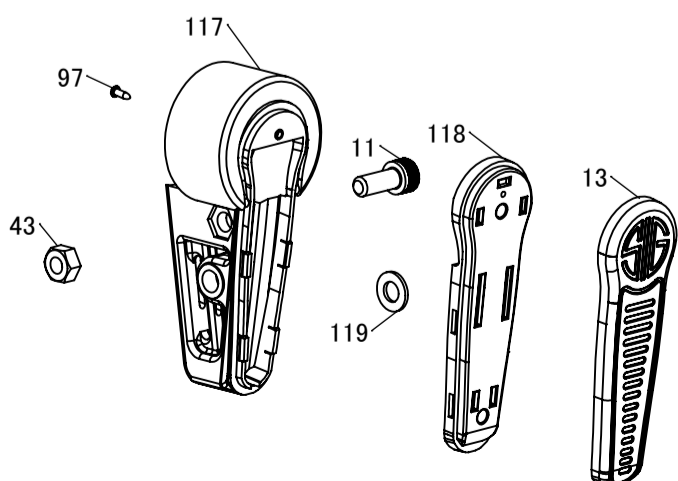


39-143. Stock Assembly

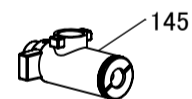


Assembled by

- | | |
|-----------------------|--------------------------------|
| 39-11. Bolt M8 × 20 | 39-97. Screw P-Tite PH 2.6 × 8 |
| 39-13. Butt Pad | 39-117. Stock |
| 39-43. Hexagon Nut M8 | 39-118. Stock Plate |
| | 39-119. Stock Washer |



39-145. Valve Assembly



Assembled by

- | | |
|---------------------------|---------------------------|
| 39-68. O-ring P6 Urethane | 39-132. Valve Rear Cap |
| 39-70. O-ring P10 1A | 39-133. Valve Seal |
| 39-79. Piston Ring | 39-134. Valve Seal Holder |
| 39-128. Valve Body | 39-135. Valve Spring |
| 39-131. Valve Pin | 39-136. Valve Washer |

